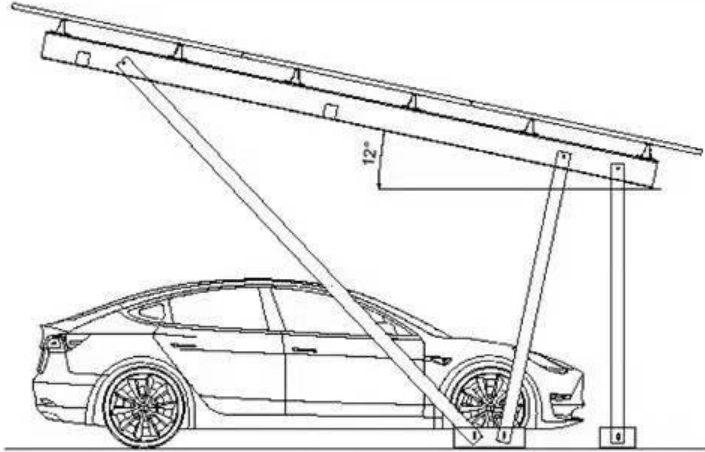
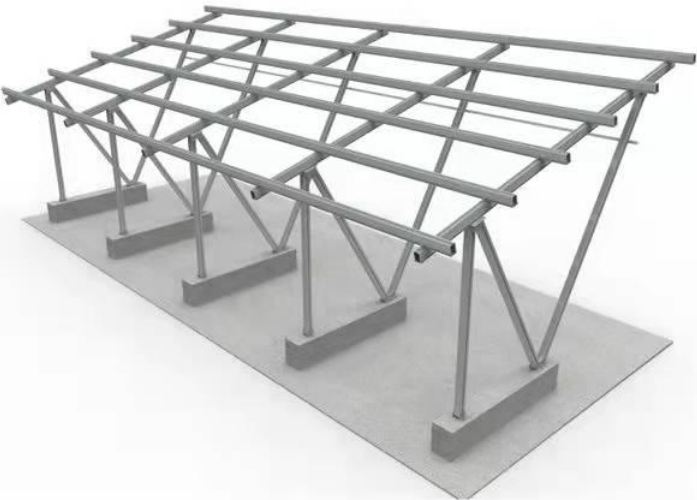


Design 1, Material: Aluminum or steel  
N shape

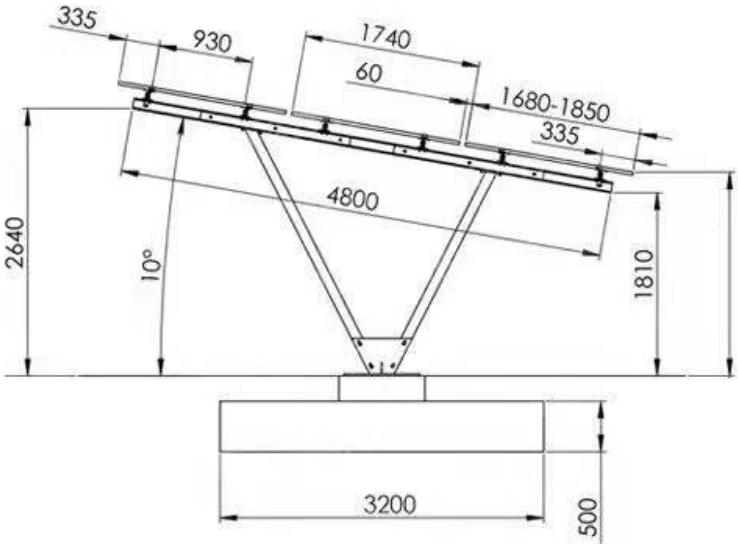


Design 2, Material: Aluminum or Steel  
W shape



# Design 3, Material: Aluminum V shape

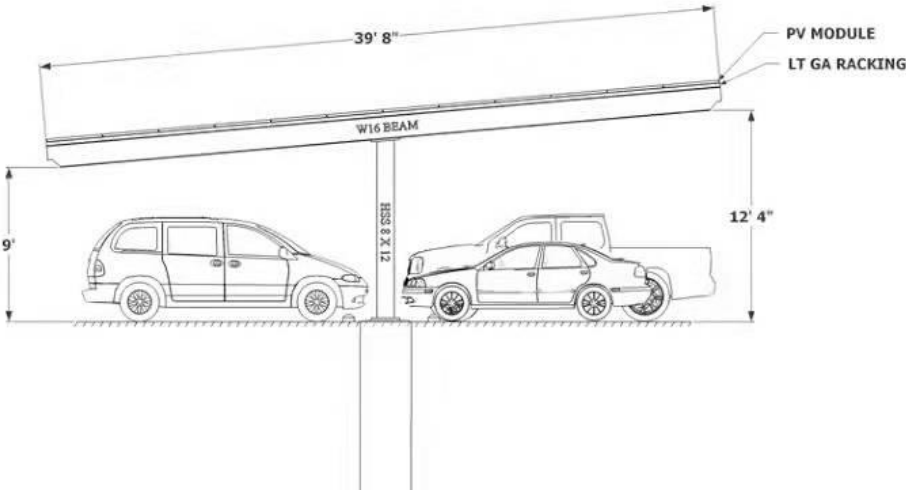
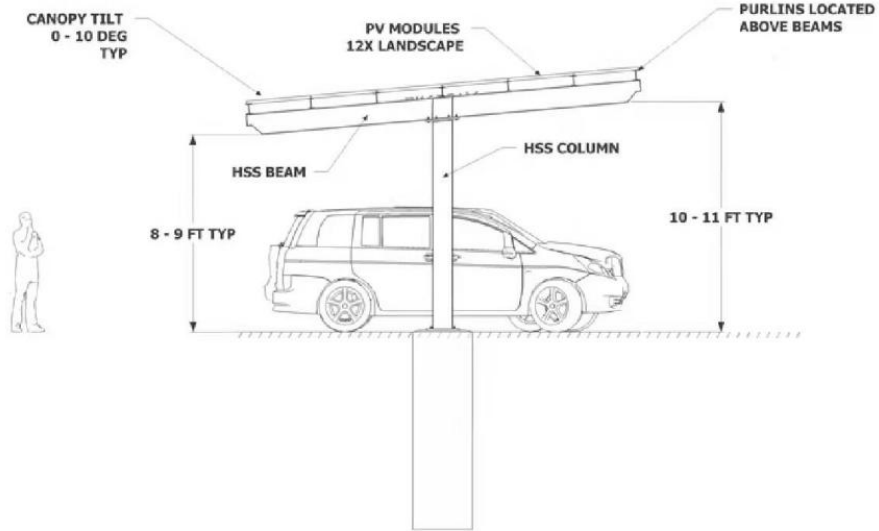
© 2013 Autodesk, Inc. All rights reserved.



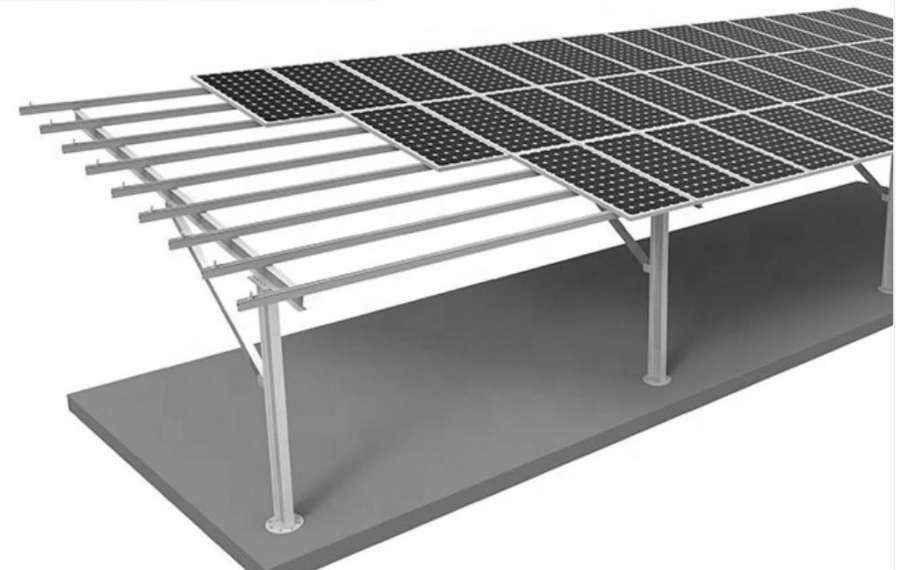
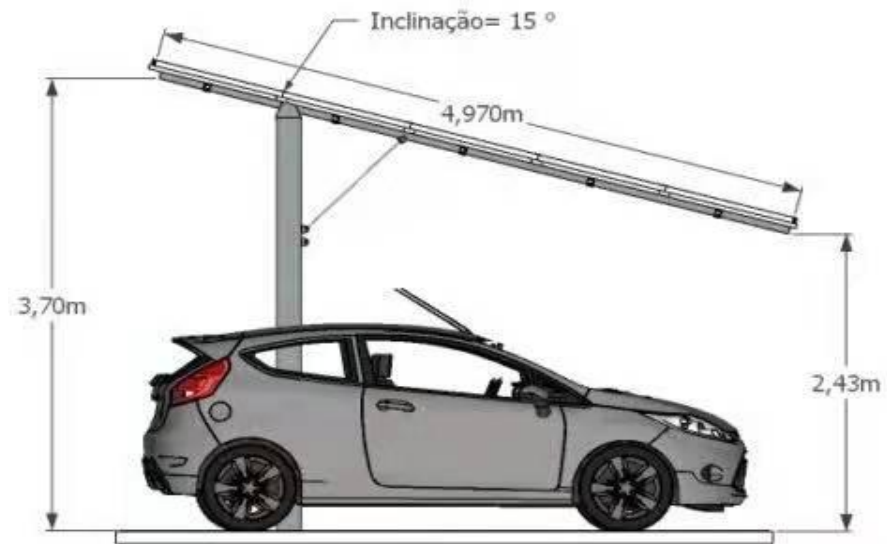
Design 4, Material: Steel  
T shape



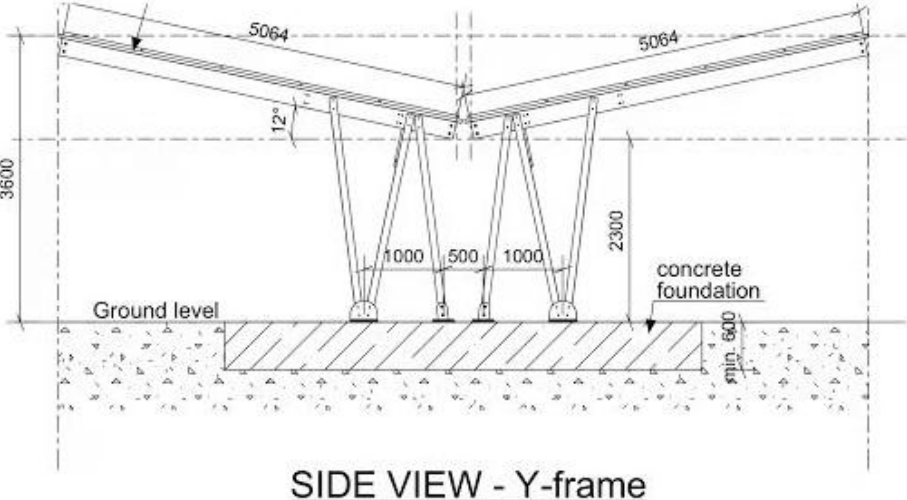
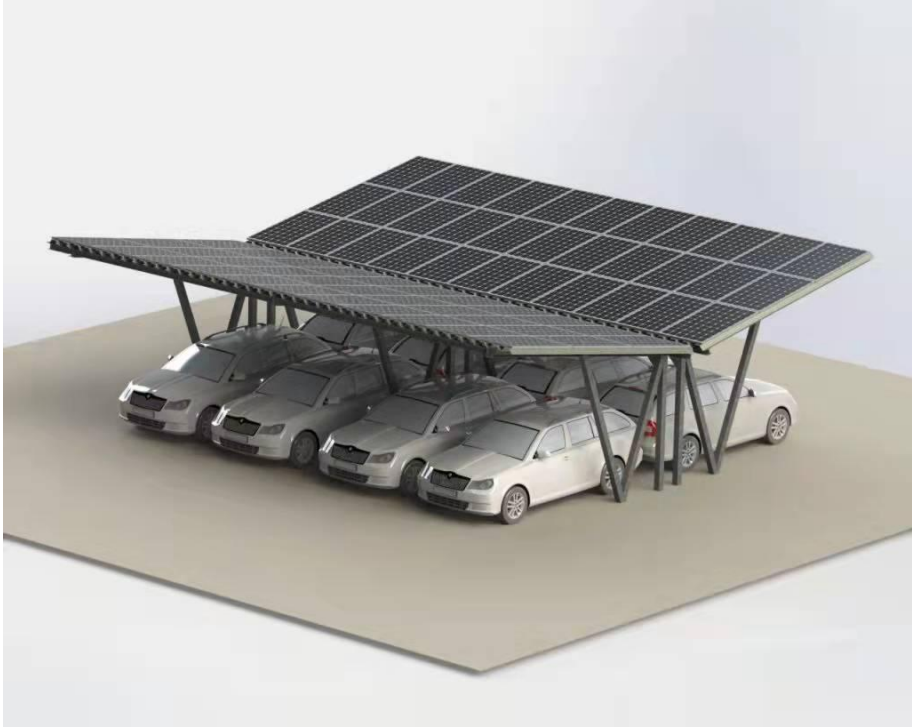
# Design 5, Material: Steel T shape



Design 6, Material: Steel  
Y shape



# Design 7, Mariel: Steel W shape



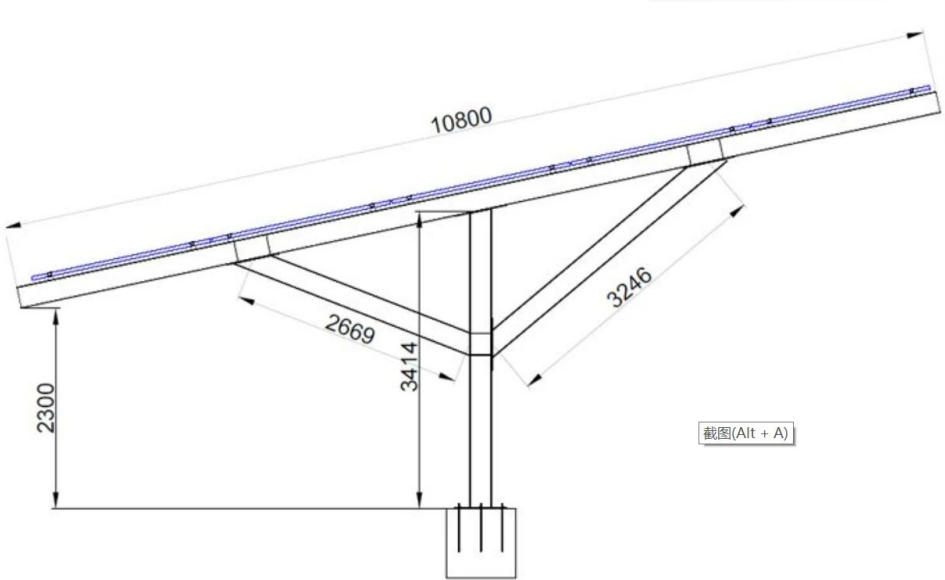
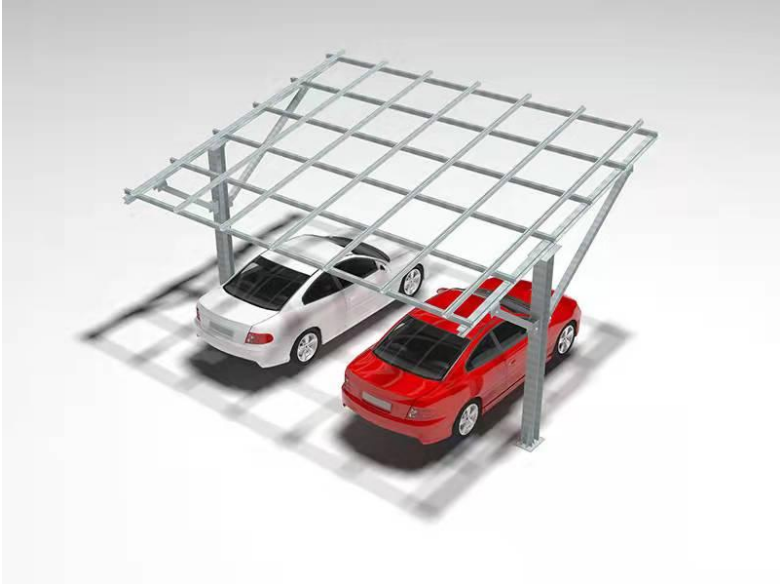
SIDE VIEW - Y-frame

Design 8, Material: Steel  
Y shape

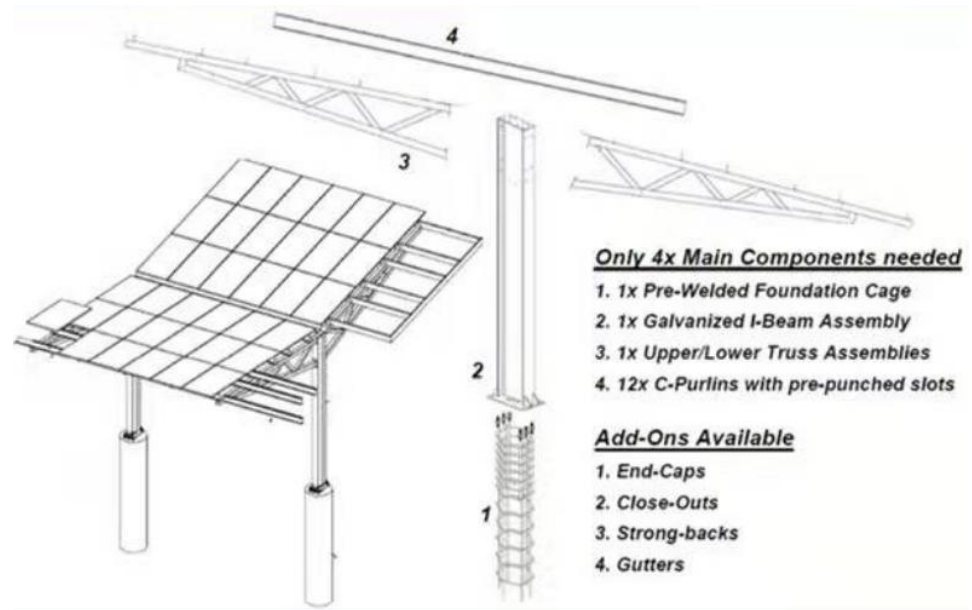




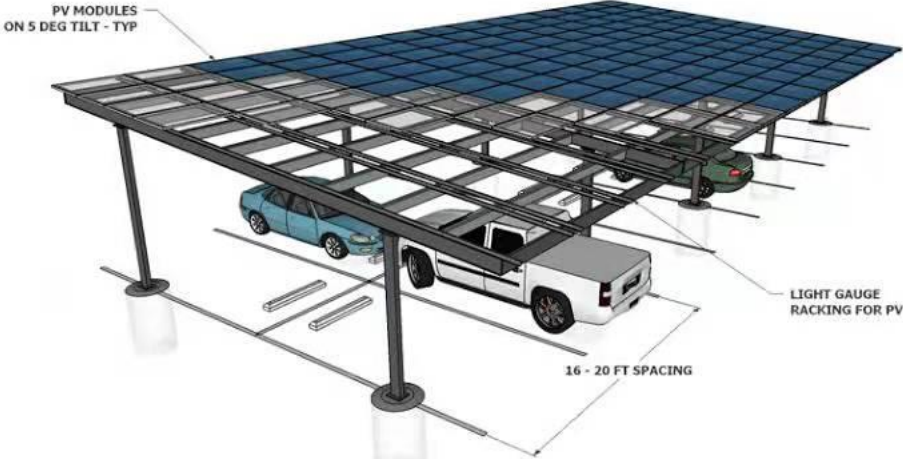
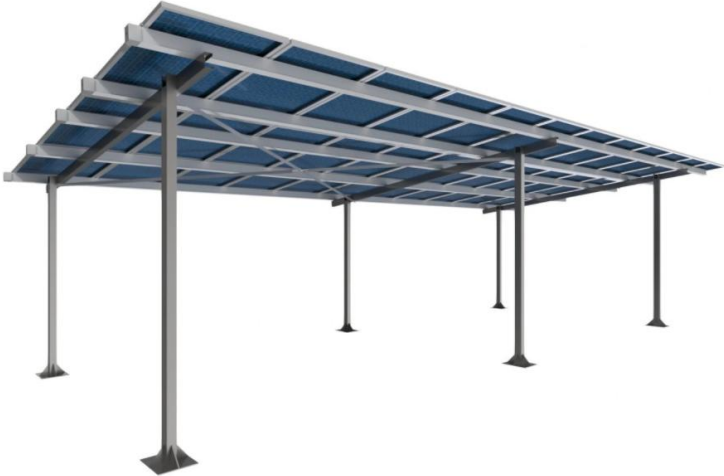
Design 9, Material: Steel  
Y shape



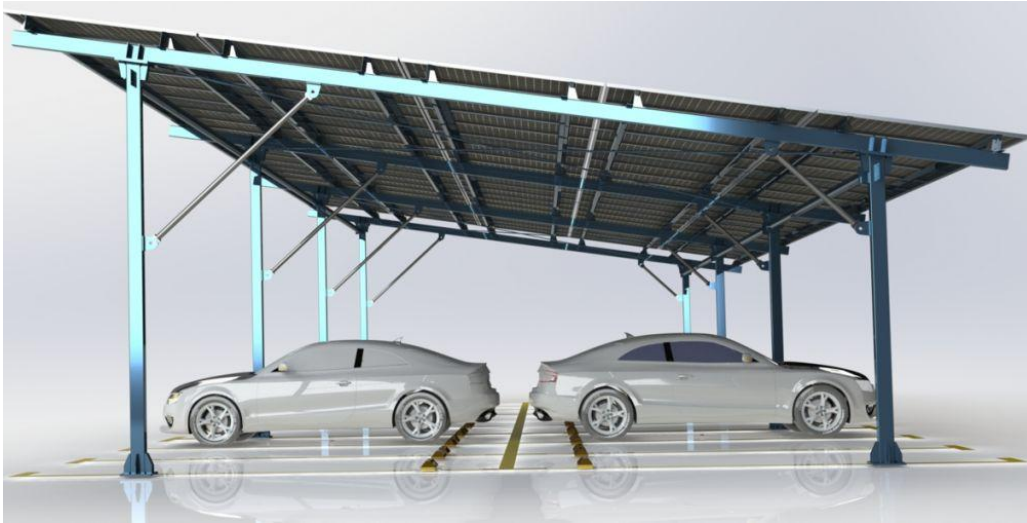
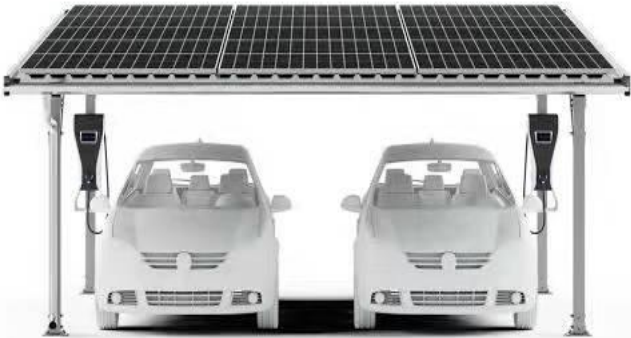
# Design 10, Material: Steel Y shape



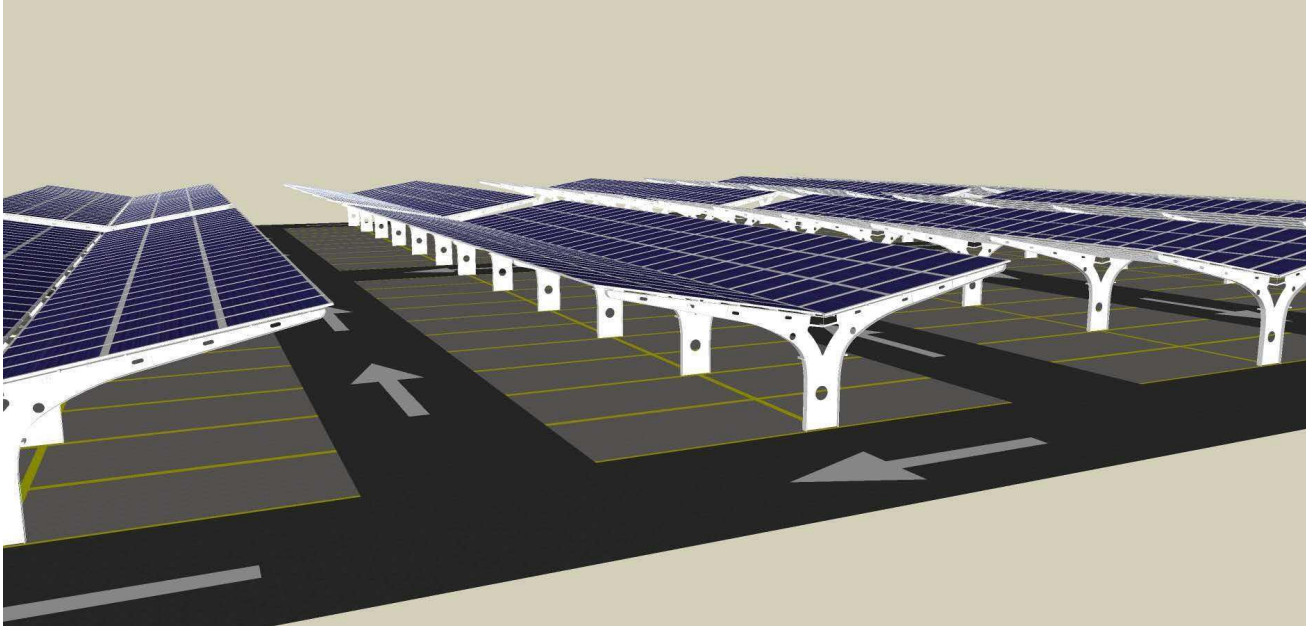
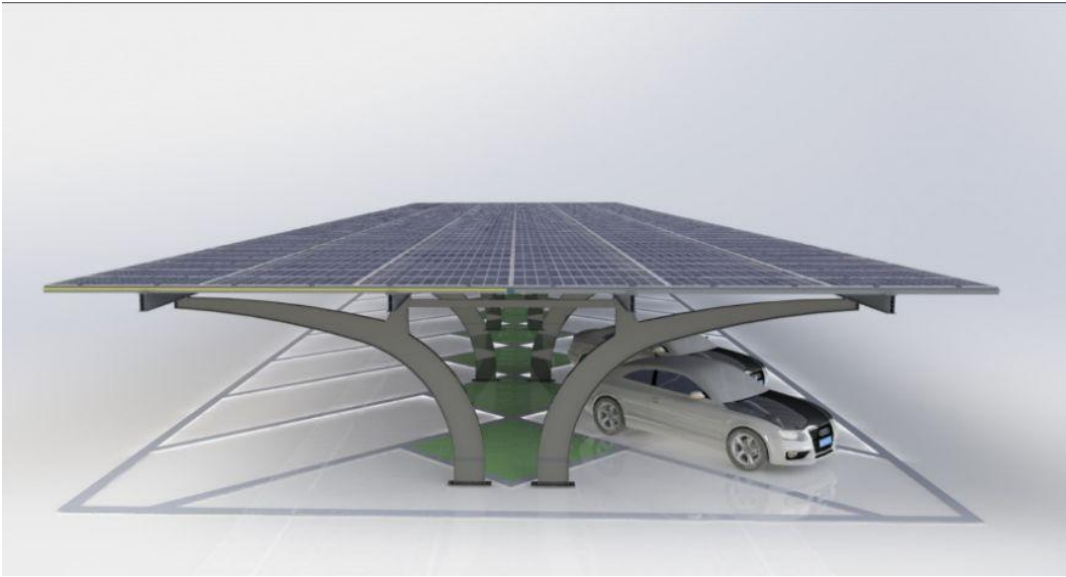
Design 11, Material: Steel  
4 columns type



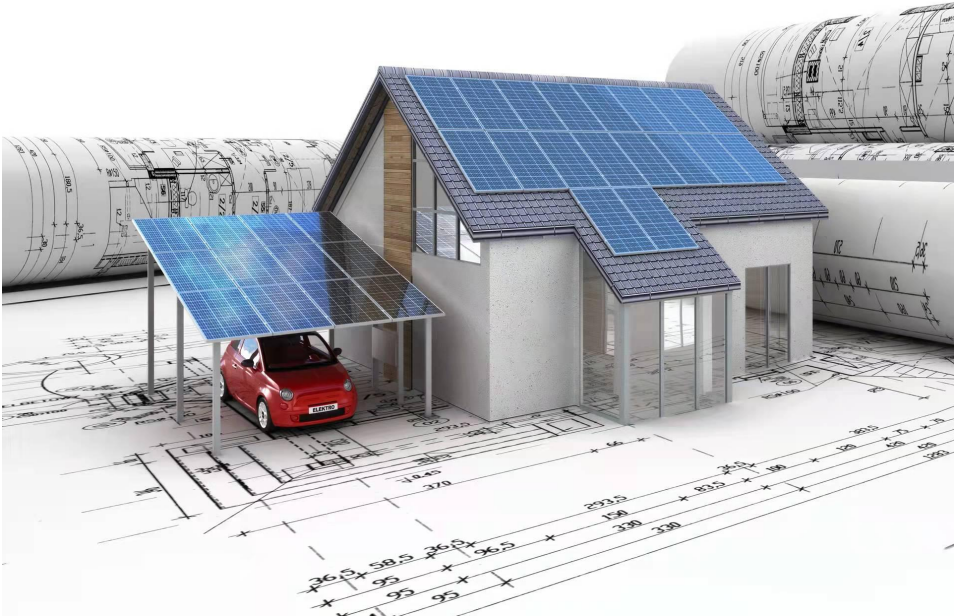
Design 12, Material: Steel  
4 columns type



Design 13, Material: Steel  
Y shape



# Design 14, Material: Steel



# Case



# Case





Case



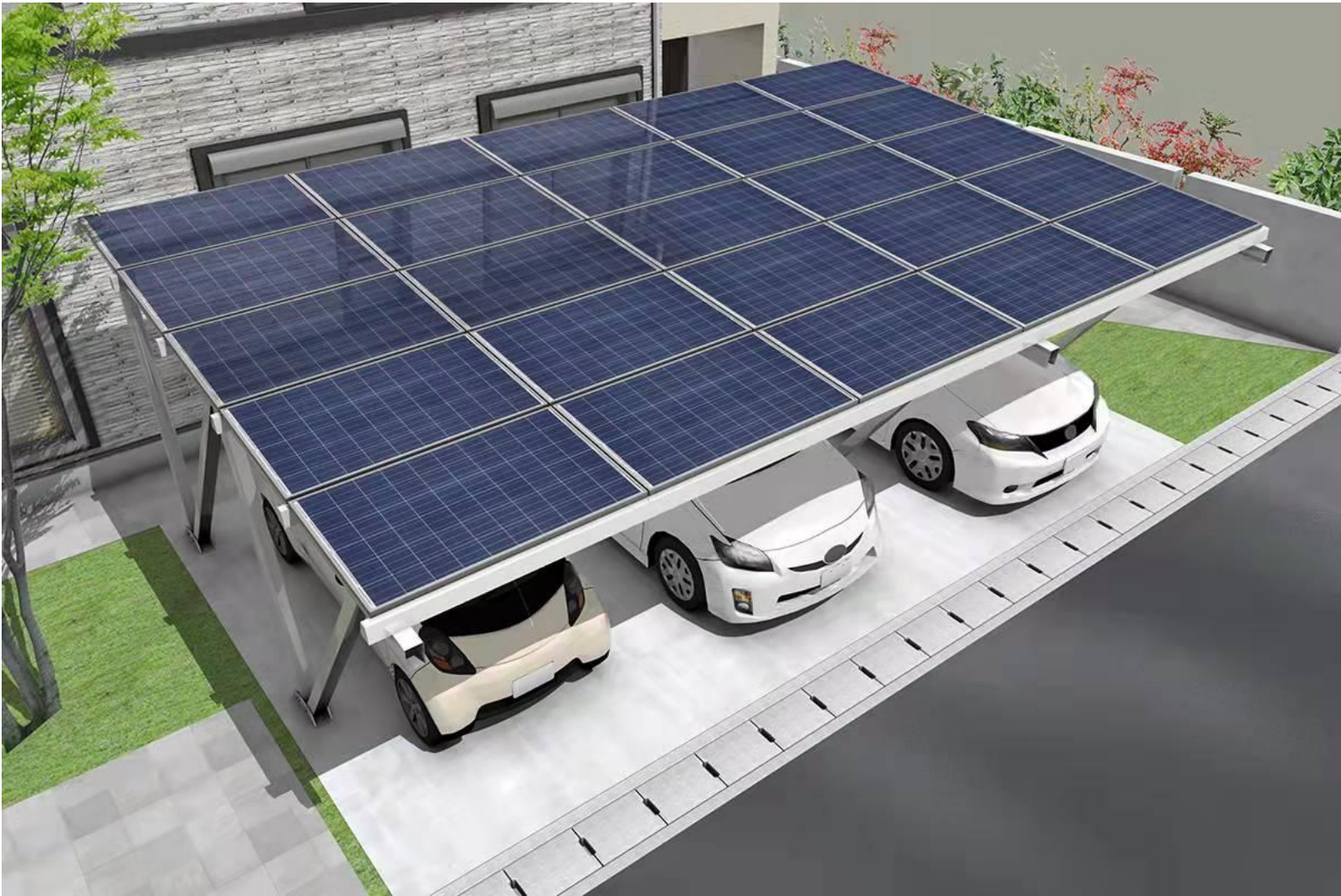
# Case



Case



# Case



Case



# Case



# Case



# Case

